

## CABLE TROLLEYS AND ACCESSORIES FOR STEEL ROPE TRACK



KL-05 2025

№	TABLE OF CONTENTS	PAGE	
	Main design rules for mobile receivers supply systems	3	
	Cable supply system selection	4	
	Tensileforce calculation	5	
	Steel rope selection		
<b>ROPES AND ACCESSORIES</b>			
	Steel rope mounting	6	
1	Steel ropes DIN 3060 (PN-69/M-80206) without PVC sheath		
2	Steel ropes DIN 3055 with PVC sheath		
3	Tope tension unit		
4	Support arm WL10		7
5	Support arm WL21		
6	Support arm WL31		8
7	Socket		
<b>CABLE TROLLEYS</b>			
	Cable trolleys and end clamps for flat cables sign example	9	
	Cable trolleys and end clamps for round cables sign example		
	Components of supply system with towing clamp without the roller for flat cables	10	
	Components of supply system with towing clamp with the roller for flat cables		
8	Cable trolleys and end clamps with plastic cable support for flat cables - steel rope Ø 6-8 mm	11	
9	Cable trolleys and end clamps with steel cable support for flat cables - steel rope Ø 6-8 mm	12	
10	3-roller cable trolleys for flat cables - steel rope Ø 6-8 mm	13	
11	Cable trolleys and end clamps with plastic cable support for flat cables - steel rope Ø 10-12 mm	14	
12	Cable trolleys and end clamps with steel cable support for flat cables - steel rope Ø 10-12 mm	15	
13	3-roller cable trolleys for flat cables - steel rope Ø 10-12 mm	16	
14	Towing clamp with or without the roller for flat cables	17	
15	Towing arm	18	
	Components of supply system with towing clamp without the roller for round cables	19	
	Components of supply system with towing clamp with the roller for round cables		
16	Cable trolleys and regulated clamps with ball joint - steel rope Ø 6-8 mm	20	
17	Cable trolleys and regulated clamps with ball joint - steel rope Ø 10-12 mm	22	
18	Towing clamp with or without the roller with ball joint	24	
19	Towing arm		
20	Control unit trolleys with multipolar junction	25	
21	Mounting plate PM	26	
22	Mount with ball joint MPK		
23	Plastic rollers	27	
24	Plastic or steel normal cable supports		
25	Separators		
26	Plastic conical nuts	28	
27	Technical chain VICTOR DIN 5686		
28	Technical chain DIN 5685		
29	Technical chain DIN 766	29	
30	Snap hook		
31	Twisted link		
<b>CABLES</b>			
32	Cables for crane industry - general information	30	
<b>CABLE GLANDS</b>			
33	Flat cable glands UNILIFT DPPN / MDPP	31	
34	Flat or round cable gland system UNILIFT DPPU	32	
<b>INSTRUCTIONS AND FORMS</b>			
35	Steel rope power supply system selection	33	

**Main design rules for mobile receivers supply systems**

Cable trolleys are intended to work at normal conditions:

- non-aggressive environment,
- temperature: from -40° to +80°C,
- humidity max. 70%,
- dust free,
- indoor / open air.

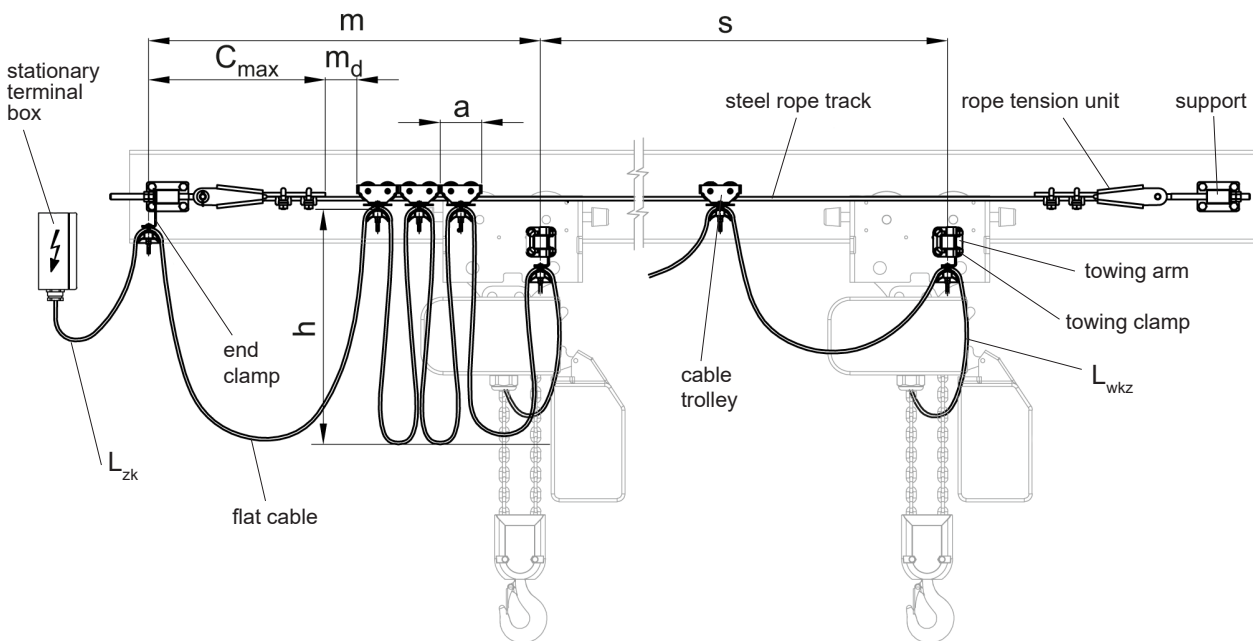
Cable trolleys supply lines can be also applied at especially hard working conditions like:

- aggressive environment,
- heat radiation,
- high humidity,
- dusty, explosion hazardous area.

When designing the power system must include provisions to prevent accidents!

UNILIFT reserves the right to make design changes.

**Cable supply system selection**



DESIGNATIONS:	
s	length of towing trolley route [m]
a	length of the cable trolley [m]
z	number of cable trolleys
n	number of loops
h	cable loop height [m]
m	length of trolleys storage area [m]
m <sub>d</sub>	trolley storage area length addition: <b>m<sub>d min</sub> = a [m]</b>
f	cable length addition coefficient <b>f = od 1,10</b>
C	length of trolley storage area dead zone [m] - for rope tension unit ZNL-12, C <sub>max</sub> = 0,40 [m] - for rope tension unit ZNL-18, C <sub>max</sub> = 0,51 [m] - for rope tension unit ZNL-20, C <sub>max</sub> = 0,55 [m]

D	cable support diameter [m] – for flat cables
K	size coefficient – for round cables - for holder UL-1016 - K = 0,06 - for holder UL-1726 - K = 0,09 - for holder UL-2736 - K = 0,15
L	length of supply wire from middle of the end clamp to middle of the towing trolley [m] <b>without connecting sections L<sub>zk</sub> and L<sub>wkz</sub></b>
L <sub>zk</sub>	cable length from end clamp to crane contact box [m]
L <sub>wkz</sub>	cable length from towing trolley to actuator contact box [m]
L <sub>c</sub>	total cable length [m] <b>with connecting sections L<sub>zk</sub> and L<sub>wkz</sub></b>

KL 052025

RELATIONS:	FORMULAS:
Number of loops	$n = \frac{f \times (s+m_d)}{2h - f \times a + 1,25D}$
Number of trolleys (without towing trolley and end clamp)	$z = n - 1$
Length of trolley's storage area	$m = n \times a + m_d$
Length of supply wire (without connecting sections $L_{ZK}$ and $L_{WKZ}$ )	$L = f \times (s + m)$
Total length of supply wire (with connecting sections $L_{ZK}$ and $L_{WKZ}$ )	$L_C = L + L_{ZK} + L_{WKZ}$

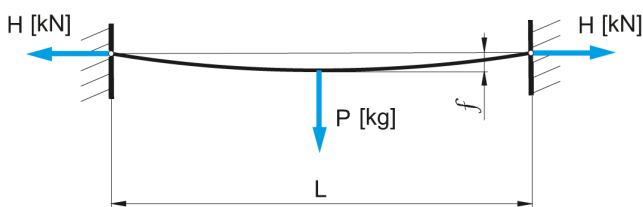
### Tensile force calculation

**Steel rope selection must be preceded by horizontal component of tensile force H calculation.**

Tensile force can be calculated according to formula:

$$H = 0,125 \times 10^{-2} \times \alpha \times \varphi \times P \text{ [kN]} \quad (1)$$

$$\alpha = \frac{L}{f} \quad (2)$$



H	tensile force [kN]
P	overall load (weight of rope + trolleys + other components) [kg]
$\varphi$	dynamic load coefficient $\varphi=1,2$
L	distance between mounting points [m]
$\alpha$	overhang coefficient
f	overhang (% $\times$ L) [m]

**Steel rope selection**

Rope selection stages:

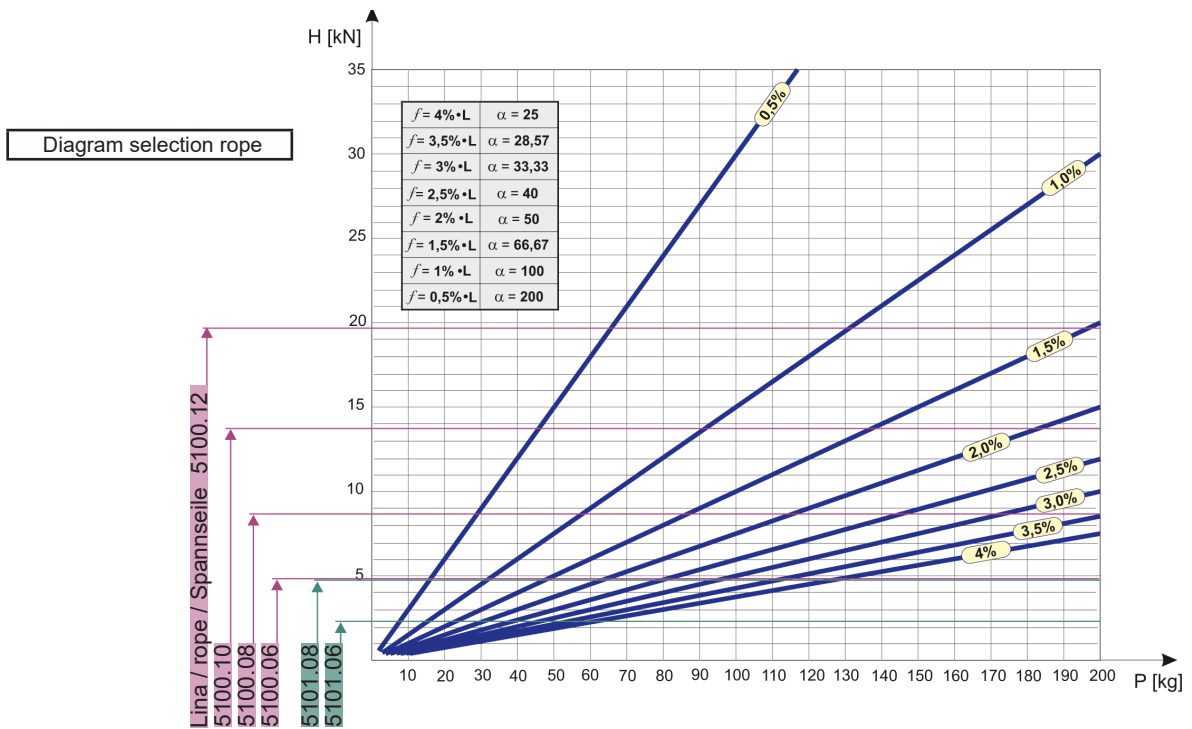
1. define acceptable overhang  $f$  ( $\% \times L$ ),  $f \leq 4\% \times L$ ;
2. define overall load  $P$  [kg];
3. calculate tensile force  $H$  [kN] acc. (1);
4. choose appropriate rope due to acceptable tension force  $F_z$  [kN].

$$F_z = \frac{F_M}{n} \leq H \quad (3)$$

$F_z$	acceptable tension force [kN]
$F_M$	min. breaking force [kN]
$n$	safety coefficient for anchored ropes $n = 4$

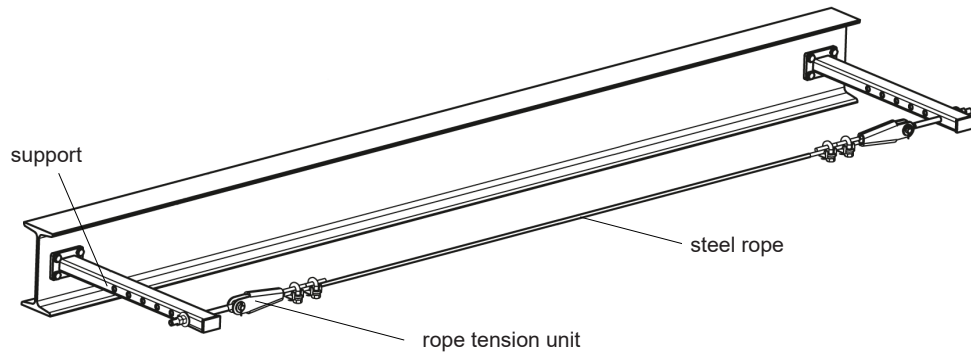
**Example:**

$L = 50$  [m]  
 $P = 110$  [kg]  
 $f = 1,6\% \times L \cong 0,8$  [m]  
 $H = 10,31$  [kN]  
 Rope cat. **5100.10**

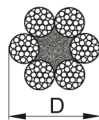


**ROPES AND ACCESSORIES**

**Steel rope mounting**



**1 Steel ropes DIN 3060 (PN-69/M-80206) - without PVC sheath**



Rope construction:  $6 \times 19 + F_c [6 \times (1+6+12) + F_c]$

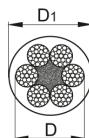
**Elements:** rope  
**Material:** - galvanized steel

The table contains rope producer's data

Catalog №	Type	Diameter D [mm]	Weight [kg/m]	Min. breaking force $F_M^*)$ [kN]	Acceptable tensile force $F_Z^*)$ [kN]
5100.06	L 0606 × 19	6,0	0,125	19,60	4,90
5100.08	L 0806 × 19	8,0	0,221	34,80	8,70
5100.10	L 1006 × 19	10,0	0,346	54,40	13,60
5100.12	L 1206 × 19	12,0	0,498	78,30	19,60

\*) for nominal durability 1770 [N/mm<sup>2</sup>]

**2 Steel ropes DIN 3055 - with PVC sheath**



Rope construction:  $6 \times 7 + F_c [6 \times (1+6) + F_c]$

**Elements:** rope + sheath  
**Material:** - galvanized steel + PVC

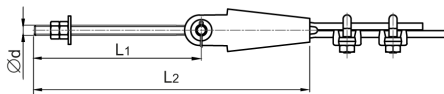
The table contains rope producer's data

Catalog №	Type	Diameter D [mm]		Weight [kg/m]	Min. breaking force $F_M^*)$ [kN]	Acceptable tensile force $F_Z^*)$ [kN]
		D	D <sub>1</sub>			
5101.06	LP 040606 × 07	4,0	6,0	0,084	8,70	2,20
5101.08	LP 060806 × 07	6,0	8,0	0,168	19,60	4,90

\*) for nominal durability 1770 [N/mm<sup>2</sup>]

KL 052025

**3 Rope tension unit**



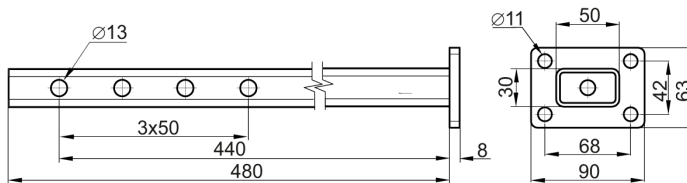
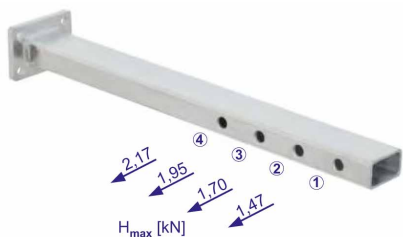
**Elements:** rope + sheath  
**Material:** - galvanized steel

**The table contains rope producer's data**

Catalog №	Type	Diameter d [mm]	Thread	Dimensions [mm]		Weight [kg/m]
				L <sub>1</sub>	L <sub>2</sub>	
5110.10	ZNL-10	6	M10	180	260	0,38
5110.12	ZNL-12	6-8	M12	200	330	0,68
5110.16	ZNL-16	10	M16	260	420	1,55
5110.20	ZNL-20	12	M20	260	460	2,95

Rope tension unit includes:  
- rope connector acc. DIN 15315  
- eyebolt  
- two rope clamps.

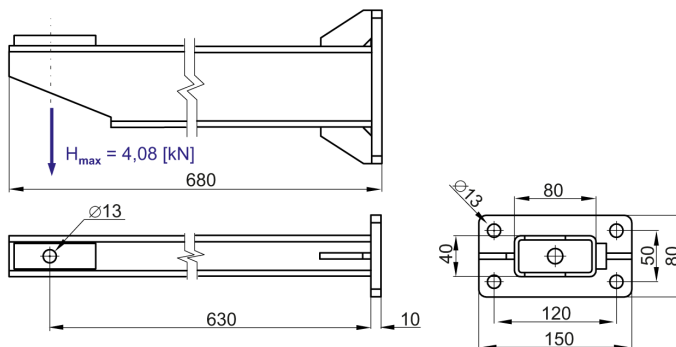
**4 Support arm WL10**



**Elements:** support arm  
**Material:** - hot-dip galvanized steel

Catalog №	Type	Weight [kg]
5004.00	WL10	1,92

**5 Support arm WL21**

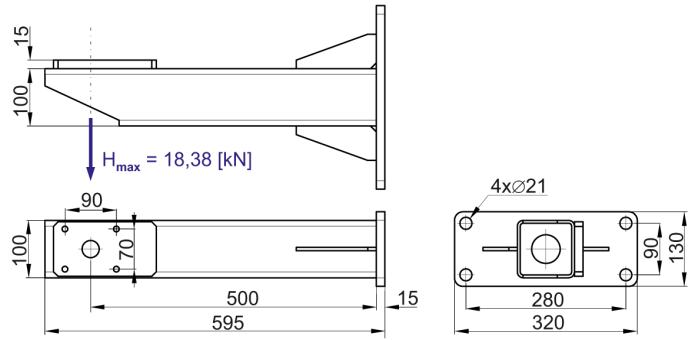


**Elements:** support arm  
**Material:** - hot-dip galvanized steel

Catalog №	Type	Weight [kg]
5004.10	WL21	5,40

KL 052025

**6 Support arm WL31**

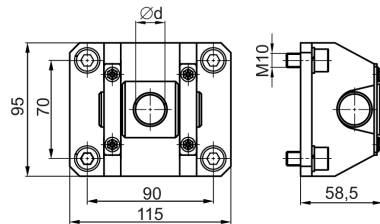


**Elements:** support arm  
**Material:** hot-dip galvanized steel

Catalog №	Type	Weight [kg]
5004.20	WL31	14,20

Support WL31 is used together with ZNL-... and GZN-... socket.

**7 Socket**



**Elements:** socket  
**Material:** hot-dip galvanized steel

Catalog №	Type	Diameter d [mm]	Weight [kg]
5004.50	GZN-1	13	1,810
5004.51	GZN-2	17	1,815
5004.52	GZN-3	21	1,820

Rope tension unit (RTU) bracket UM1 used together with RTU ZNL-... and with support arm WL31.



**CABLE TROLLEYS**

**Cable trolleys and end clamps for flat cables sign example**

a) Cable trolleys sign example:



**WK - PL G - 75 x 76 x D50T**

Type of the trolley	WK - PL
Pan made of polymer	G
Length of the trolley [mm]	75
Width of the cable support [mm]	76
Diameter of the cable support [mm]	D50T

b) 3-roller cable trolleys sign example:



**WK - PL 12 B - 90 x 76 x D80T**

**WK - PL 08 A - 90 x 76 x D80T**

Type of the trolley	WK - PL
Determination of the steel rope *	12 B
Combination of the rollers	08 A
Length of the trolley [mm]	90
Width of the cable support [mm]	76
Diameter of the cable support [mm]	D80T

\* 08 - ropes Ø 6-8 mm  
\* 12 - ropes Ø 10-12 mm

c) End clamps sign example:



**ZKL - 76 x D80T**

Type of the end clamp	ZKL
Width of the cable support [mm]	76
Diameter of the cable support [mm]	D80T

**Cable trolleys and end clamps for round cables sign example**

a) Cable trolleys sign example:



**WK - RL G - 75**

**WK - RL2 G - 115**

Type of the trolley	WK - RL
Pan made of polymer	G
Length of the trolley [mm]	75

b) 3-roller cable trolleys sign example:



**WK - RL 12 B - 90**

**WK - RL 08 A - 90**

Type of the trolley	WK - RL
Determination of the steel rope *	12 B
Combination of the rollers	08 A
Length of the trolley [mm]	90

\* 08 - ropes Ø 6-8 mm  
\* 12 - ropes Ø 10-12 mm

c) End clamps sign example:

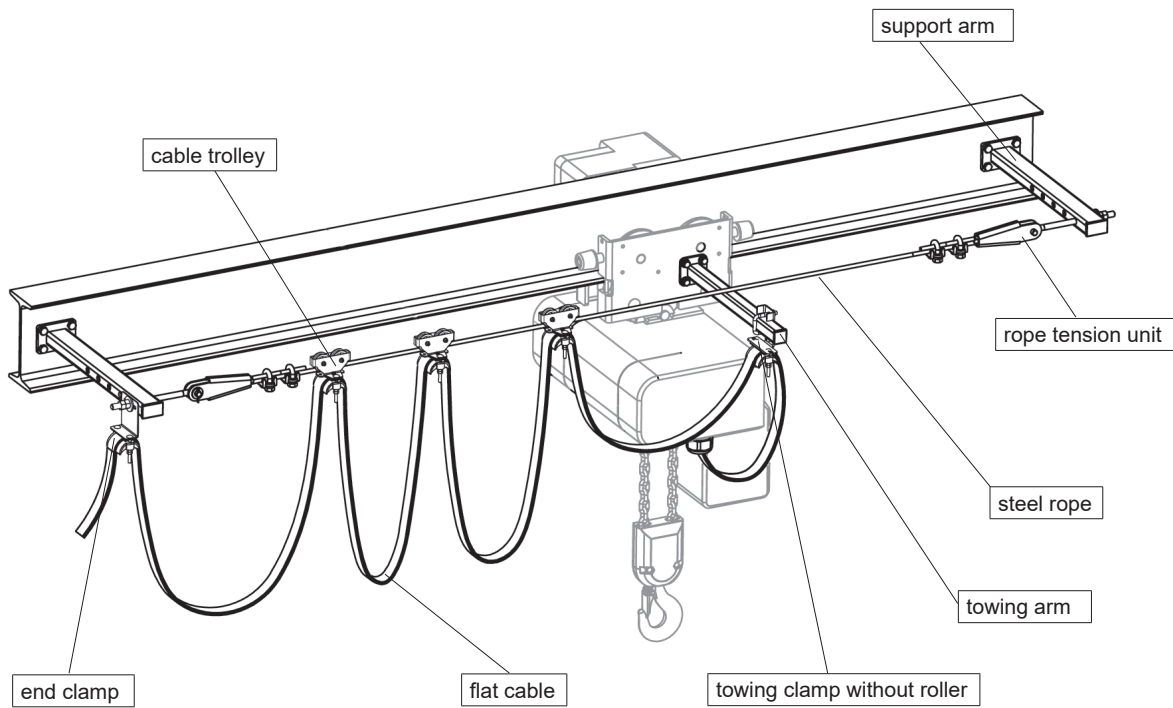


**ZRL**

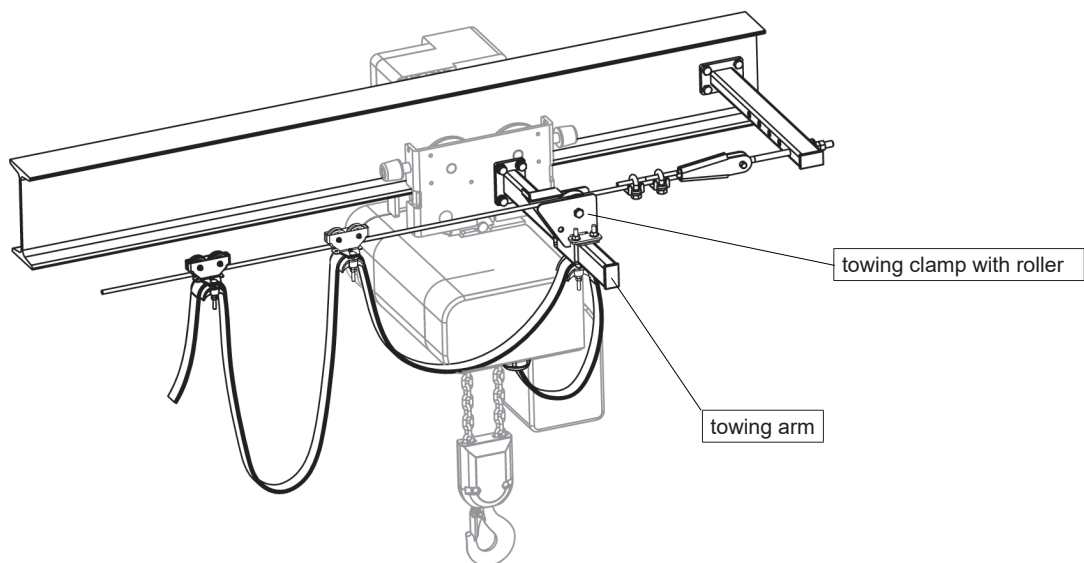
Type of the end clamp	ZRL
-----------------------	-----

KL 052025

**Components of supply system with towing clamp without the roller for flat cables**



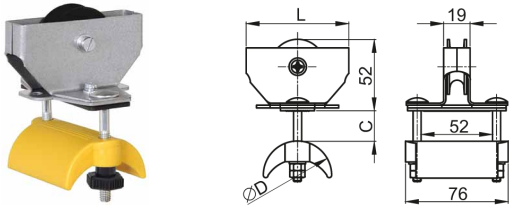
**Components of supply system with towing clamp with the roller for flat cables**



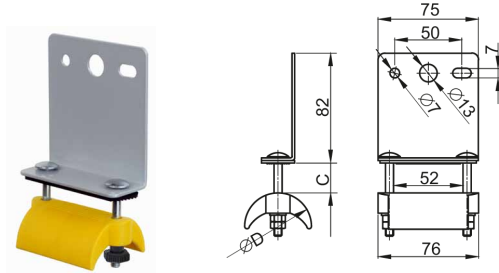
KL 052025

**8 Cable trolleys and end clamps with plastic cable support for flat cables**

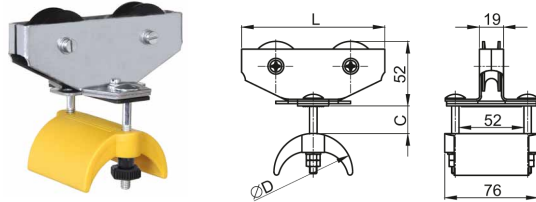
WK-PL, L=75 [mm]



ZKL - 76×D...



WK-PL, L=90 [mm], L=115 [mm]



It's suggested to use one-roller trolleys alternately with two-roller trolleys.

**Elements:**

**Material:**

- body of the trolley / end clamp - galvanized steel / stainless steel
- rollers - polyamide PA
- pan - polymer (G marking)
- cable support - polyamide PA (polypropylene PP - on request)
- separator - polyamide PA (polypropylene PP - on request)
- axles, bolts, nuts - stainless steel 1.4301, galvanized steel / stainless steel 1.4301
- bolts - polyamide PA (for cable support D50T made of plastic)

- Maximum trolley speed: up to 50 m/min
- Trolley load L=75 [mm]: up to 6 [kg] (galvanized steel); up to 4 [kg] (stainless steel)
- Trolley load L=90 [mm]: up to 10 [kg] (galvanized steel); up to 6 [kg] (stainless steel)
- End clamp load: up to 16 [kg] (galvanized steel); up to 10 [kg] (stainless steel)

Cable trolleys WK-PL, L = 75 [mm] - galvanized steel						N- stainless steel 1.4301	
Catalog №	Type	Dimensions [mm]			Weight [kg]	Catalog №	Type
		L	D	C <sub>max</sub>			
5002.11	WK-PL-75×76×D50T	75	50	12	0,220	5002.11-N	WK-PL-75×76×D50T-N

Cable trolleys WK-PL, L = 90 [mm]; L = 115 [mm] - galvanized steel						N- stainless steel 1.4301	
Catalog №	Type	Dimensions [mm]			Weight [kg]	Catalog №	Type
		L	D	C <sub>max</sub>			
5002.01	WK-PL-90×76×D50T	90	50	12	0,260	5002.01-N	WK-PL-90×76×D50T-N
5002.31	WK-PL-115×76×D80T	115	80	15	0,290	5002.31-N	WK-PL-115×76×D80T-N

End clamps ZKL - 76×D... - galvanized steel					N- stainless steel 1.4301	
Catalog №	Type	Dimensions [mm]		Weight [kg]	Catalog №	Type
		D	C <sub>max</sub>			
5003.10	ZKL-76×D50T	50	15	0,190	5003.10-N	ZKL-76×D50T-N
5003.12	ZKL-76×D80T	80	15	0,210	5003.12-N	ZKL-76×D80T-N

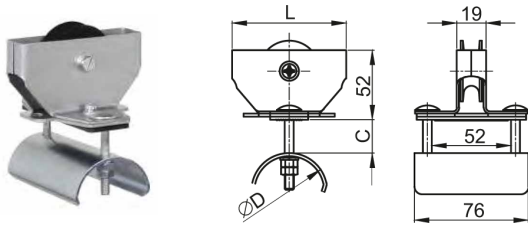
KL 052025

Ø 6-8  
[mm]

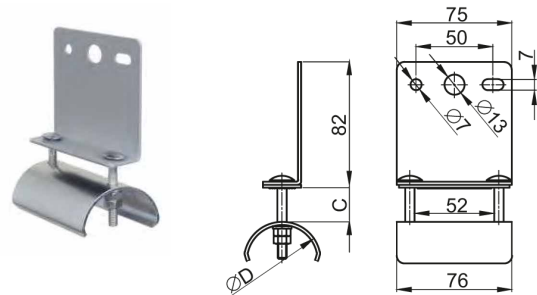
9

**Cable trolleys and end clamps with steel cable support for flat cables**

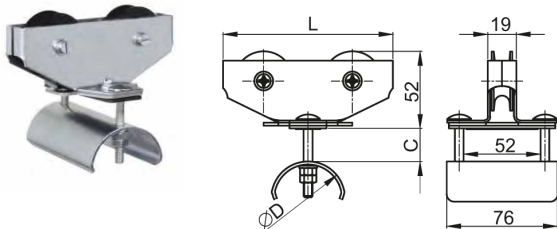
WK-PL, L=75 [mm]



ZKL - 76×D50



WK-PL, L=90 [mm], L=115 [mm]



It's suggested to use one-roller trolleys alternately with two-roller trolleys.

**Elements:**

**Material:**

- |                                 |   |
|---------------------------------|---|
| body of the trolley / end clamp | - galvanized steel / stainless steel                                |
| rollers                         | - polyamide PA  |
| pan                             | - polymer (G marking)   |
| cable support                   | - polyamide PA (polypropylene PP - on request)                      |
| separator                       | - polyamide PA (polypropylene PP - on request)                      |
| axles, bolts, nuts              | - stainless steel 1.4301, galvanized steel / stainless steel 1.4301 |
| bolts                           | - polyamide PA (for cable support D50T made of plastic)             |

- |                         |   |
|-------------------------|---|
| Maximum trolley speed:  | up to 50 m/min  |
| Trolley load L=75 [mm]: | up to 6 [kg] (galvanized steel); up to 4 [kg] (stainless steel)   |
| Trolley load L=90 [mm]: | up to 10 [kg] (galvanized steel); up to 6 [kg] (stainless steel)  |
| End clamp load:         | up to 16 [kg] (galvanized steel); up to 10 [kg] (stainless steel) |

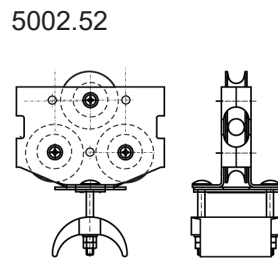
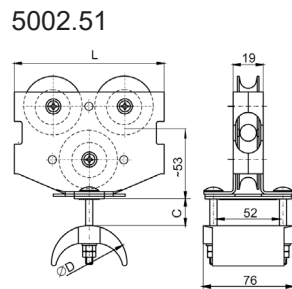
Cable trolley WK-PL, L = 75 [mm] - galvanized steel						N- stainless steel 1.4301	
Catalog №	Type	Dimensions [mm]			Weight [kg]	Catalog №	Type
		L	D	C <sub>max</sub>			
5002.21	WK-PL-75×76×D50	75	50	12	0,295	5002.21-N	WK-PL-75×76×D50-N
Cable trolley WK-PL, L = 90 [mm]; L = 115 [mm] - galvanized steel						N- stainless steel 1.4301	
5002.03	WK-PL-90×76×D50	90	50	15	0,320	5002.03-N	WK-PL-90×76×D50-N
5002.23	WK-PL-115×76×D50	115		24	0,350	5002.23-N	WK-PL-115×76×D50-N

End clamps ZKL - 76×D... - galvanized steel						N- stainless steel 1.4301	
Catalog №	Type	Dimensions [mm]		Weight [kg]	Catalog №	Type	
		D	C <sub>max</sub>				
5003.16	ZKL-76×D50	50	24	0,270	5003.16-N	ZKL-76×D50-N	

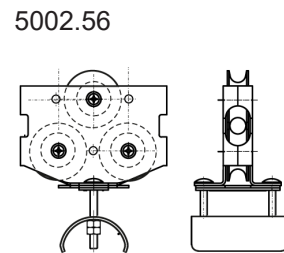
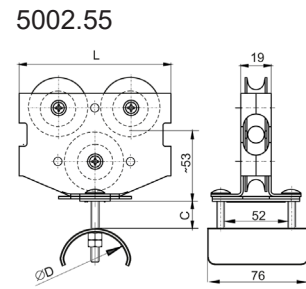
KL 052025

**10**      **3 – roller cable trolleys for flat cables**

WK-PL 08A (B)



WK-PL 08A (B)



**Elements:**

**Material:**

- |                                 |   |
|---------------------------------|---|
| body of the trolley / end clamp | - galvanized steel / stainless steel                                |
| rollers                         | - polyamide PA  |
| pan                             | - polymer (G marking)   |
| cable support                   | - polyamide PA (polypropylene PP - on request)                      |
| separator                       | - polyamide PA (polypropylene PP - on request)                      |
| axles, bolts, nuts              | - stainless steel 1.4301, galvanized steel / stainless steel 1.4301 |
| bolts                           | - polyamide PA (for cable support D50T made of plastic)             |

Maximum trolley speed: up to 50 m/min

Trolley load:                      Catalog № 5002.51 / 5002.52: up to 10 [kg] (galvanized steel); up to 6 [kg] (stainless steel)  
     Catalog № 5002.55 / 5002.56: up to 6 [kg] (galvanized steel); up to 4 [kg] (stainless steel)

3 – roller cable trolleys with plastic cable support - galvanized steel						N- stainless steel 1.4301	
Catalog №	Type	Dimensions [mm]			Weight [kg]	Catalog №	Type
		L	D	C <sub>max</sub>			
5002.51	WK-PL08A-90×76×D50T	90	50	12	0,440	5002.51-N	WK-PL08A-90×76×D50T-N
5002.52	WK-PL08B-90×76×D50T					5002.52-N	WK-PL08B-90×76×D50T-N
3 – roller cable trolleys with steel cable support - galvanized steel						N- stainless steel 1.4301	
5002.55	WK-PL08A-90×76×D50	90	50	15	0,510	5002.55-N	WK-PL08A-90×76×D50-N
5002.56	WK-PL08B-90×76×D50					5002.56-N	WK-PL08B-115×76×D50-N

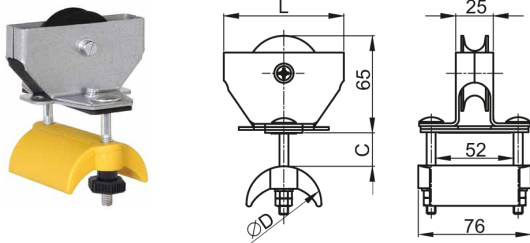
KL 052025

Ø 10-12  
[mm]

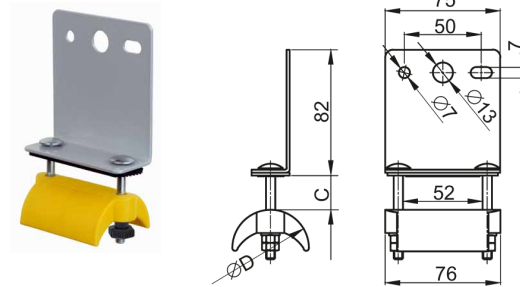
11

**Cable trolleys and end clamps with plastic cable support for flat cables**

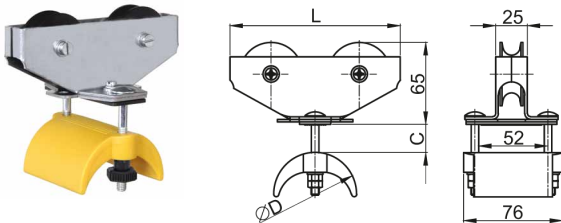
WK-PL2, L=80 [mm]



ZKL - 76×D...



WK-PL2, L=115 [mm], L=135 [mm]



It's suggested to use one-roller trolleys alternately with two-roller trolleys.

**Elements:**

**Material:**

- |                                 |   |
|---------------------------------|---|
| body of the trolley / end clamp | - galvanized steel / stainless steel                                |
| rollers                         | - polyamide PA  |
| pan                             | - polymer (G marking)   |
| cable support                   | - polyamide PA (polypropylene PP - on request)                      |
| separator                       | - polyamide PA (polypropylene PP - on request)                      |
| axles, bolts, nuts              | - stainless steel 1.4301, galvanized steel / stainless steel 1.4301 |
| bolts                           | - polyamide PA (for cable support D50T made of plastic)             |

- |                                     |  |
|-------------------------------------|--|
| Maximum trolley speed:              | up to 50 m/min   |
| Trolley load L=80 [mm]:             | up to 10 [kg] (galvanized steel); do 6 [kg] (stainless steel)  |
| Trolley load L=115 [mm]; L=135 [mm] | up to 16 [kg] (galvanized steel); do 10 [kg] (stainless steel) |
| End clamp load:                     | up to 16 [kg] (galvanized steel); do 10 [kg] (stainless steel) |

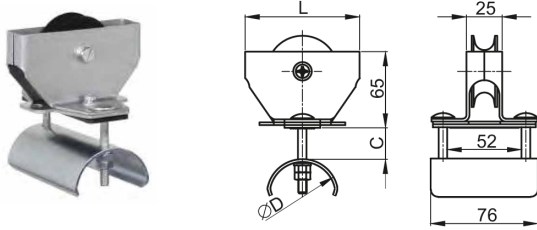
Cable trolley WK-PL2, L = 80 [mm] - galvanized steel					N- stainless steel 1.4301		
Catalog №	Type	Dimensions [mm]			Weight [kg]	Catalog №	Type
		L	D	C <sub>max</sub>			
5002.15	WK-PL2-80×76×D50T	80	50	15	0,275	5002.15-N	WK-PL2-80×76×D50T-N
Cable trolley WK-PL2, L = 115 [mm]; L = 135 [mm] - galvanized steel					N- stainless steel 1.4301		
5002.05	WK-PL2-115×76×D50T	115	50	24	0,360	5002.05-N	WK-PL2-115×76×D80T-N
5002.35	WK-PL2-135×76×D80T	135	80		0,390	5002.05-N	WK-PL2-135×76×D80T-N

End clamp ZKL - 76×D... - galvanized steel					N- stainless steel 1.4301		
Catalog №	Type	Dimensions [mm]		Weight [kg]	Catalog №	Type	
		D	C <sub>max</sub>				
5003.10	ZKL-76×D50T	50	15	0,190	5003.10-N	ZKL-76×D50T-N	
5003.12	ZKL-76×D80T	80		0,210	5003.12-N	ZKL-76×D80T-N	

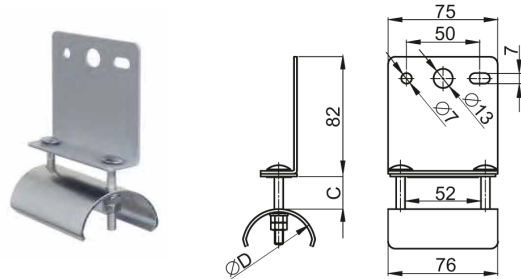
KL 052025

**12 Cable trolleys and end clamps with steel cable support for flat cables**

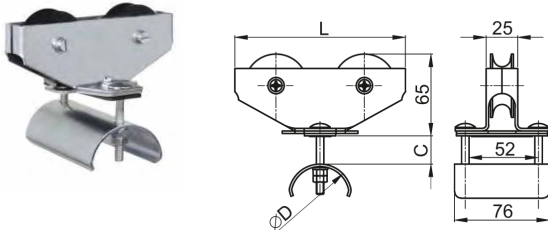
WK-PL, L=80 [mm]



ZKL - 76×D50



WK-PL, L=115 [mm], L=135 [mm]



It's suggested to use one-roller trolleys alternately with two-roller trolleys.

**Elements:**

**Material:**

- body of the trolley / end clamp - galvanized steel / stainless steel
- rollers - polyamide PA
- pan - polymer (G marking)
- cable support - stainless steel 1.4301/ galvanized steel
- separator - polyamide PA (polypropylene PP - on request)
- axles, bolts, nuts - stainless steel 1.4301, galvanized steel / stainless steel 1.4301

- Maximum trolley speed: up to 50 m/min
- Trolley load L=80 [mm]: up to 10 [kg] (galvanized steel); do 6 [kg] (stainless steel)
- Trolley load L=115 [mm]; L=135 [mm] up to 16 [kg] (galvanized steel); do 10 [kg] (stainless steel)
- End clamp load: up to 16 [kg] (galvanized steel); do 10 [kg] (stainless steel)

Cable trolley WK-PL2, L = 80 [mm] - galvanized steel					N- stainless steel 1.4301		
Catalog №	Type	Dimensions [mm]			Weight [kg]	Catalog №	Type
		L	D	C <sub>max</sub>			
5002.25	WK-PL2-80×76×D50	80	50	15	0,350	5002.25-N	WK-PL2-75×76×D50-N
Cable trolley WK-PL2, L = 115 [mm]; L = 135 [mm] - galvanized steel					N- stainless steel 1.4301		
5002.07	WK-PL2-115×76×D50	115	50	30	0,410	5002.07-N	WK-PL2-115×76×D50-N
5002.27	WK-PL2-135×76×D50	135		35	0,445	5002.27-N	WK-PL2-135×76×D50-N

End clamp ZKL - 76×D... - galvanized steel					N- stainless steel 1.4301	
Catalog №	Type	Dimensions [mm]		Weight [kg]	Catalog №	Type
		D	C <sub>max</sub>			
5003.16	ZKL-76×D50	50	24	0,270	5003.16-N	ZKL-76×D50-N

KL 052025

Ø 10-12  
[mm]

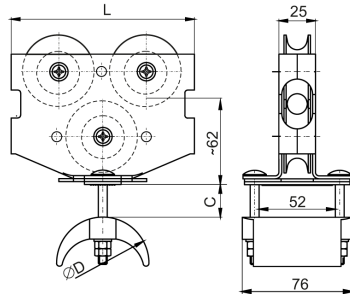
13

3 – roller cable trolleys for flat cables

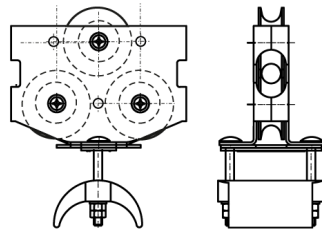
WK-PL 12A (B)



5002.61  
5002.71



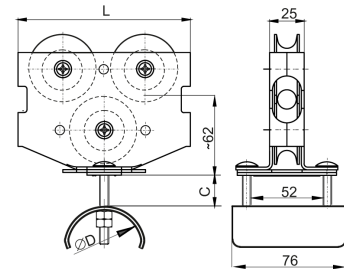
5002.62  
5002.72



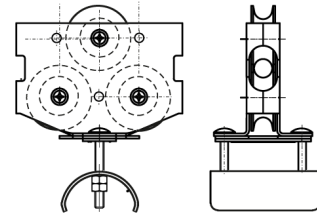
WK-PL 12A (B)



5002.65



5002.66



**Elements:**

**Material:**

body of the trolley / end clamp	- galvanized steel / stainless steel
rollers	- polyamide PA
pan	- polymer (G marking)
cable support	- polyamide PA (polypropylene PP - on request)
separator	- polyamide PA (polypropylene PP - on request)
axles, bolts, nuts	- stainless steel 1.4301, galvanized steel / stainless steel 1.4301
bolts	- polyamide PA (for cable support D50T made of plastic)

Maximum trolley speed: up to 50 m/min

Trolley load:  
 Catalog № 5002.61 / 5002.71: up to 16 [kg] (galvanized steel); up to 10 [kg] (stainless steel)  
 Catalog № 5002.62 / 5002.72: up to 10 [kg] (galvanized steel); up to 6 [kg] (stainless steel)  
 Catalog № 5002.65: up to 16 [kg] (galvanized steel); up to 10 [kg] (stainless steel)  
 Catalog № 5002.66: up to 10 [kg] (galvanized steel); up to 6 [kg] (stainless steel)

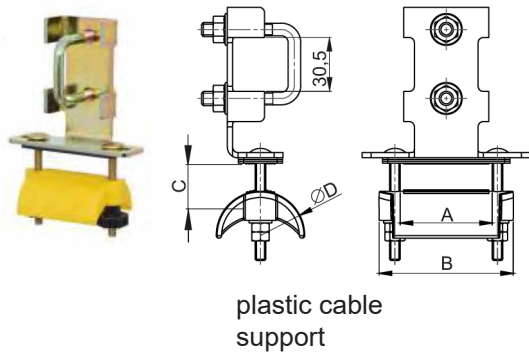
3 – roller cable trolleys with plastic cable support - galvanized steel						N- stainless steel 1.4301	
Catalog №	Type	Dimensions [mm]			Weight [kg]	Catalog №	Type
		L	D	C <sub>max</sub>			
5002.61	WK-PL12A-125×76×D50T	125	50	24	0,560	5002.61-N	WK-PL12A-125×76×D50T-N
5002.62	WK-PL12B-125×76×D50T					5002.61-N	WK-PL12B-125×76×D50T-N
3 – roller cable trolleys with steel cable support - galvanized steel						N- stainless steel 1.4301	
5002.65	WK-PL12A-125×76×D50	125	50	35	0,630	5002.65-N	WK-PL12A-125×76×D50-N
5002.66	WK-PL12B-125×76×D50					5002.66-N	WK-PL12B-125×76×D50-N

KL 052025



**14 Towing clamp with or without the roller for flat cables**

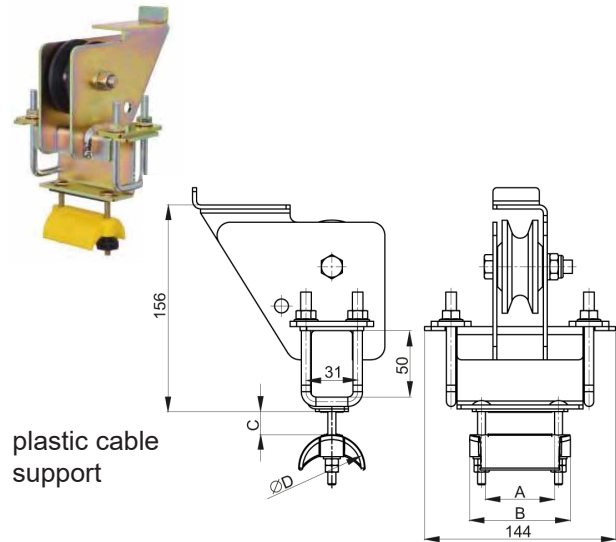
ZZL-D50 (50, 80) T



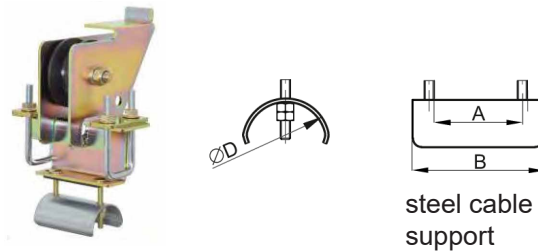
ZZL-D50 (50, 80)



ZZRL-D50 (50, 80) T



ZZRL-D50 (50, 80)



**Elements:**

**Material:**

- body of the trolley / end clamp - galvanized steel
- rollers - polyamide PA
- pan - polimer (G marking)
- cable support - polyamide PA (polypropylene PP - on request) / galvanized steel or stainless 1.4301
- separator - polyamide PA (polypropylene PP - on request)
- axles, bolts, nuts - stainless steel 1.4301, galvanized steel / stainless 1.4301
- bolts - polyamide PA (for cable support D50T made of plastic)

Towing clamp load: 16 [kg]

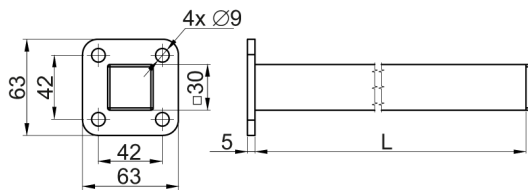
Towing clamp without the roller - galvanized steel						
Catalog №	Type	Dimensions [mm]				Weight [kg]
		D	A	B	C <sub>max</sub>	
5003.20	ZZL-D50T	50	52	76	24	0,28
5003.21	ZZL-D50					0,35
5003.24	ZZL-D80T	80				0,31
Towing clamp with the roller - galvanized steel						
5003.30	ZZRL-D50T	50	52	76	24	1,41
5003.31	ZZRL-D50					1,48
5003.34	ZZRL-D80T	80				1,45

To the towing clamp with roller, use towing arm ZL2-400 or ZL2-630.

KL 052025

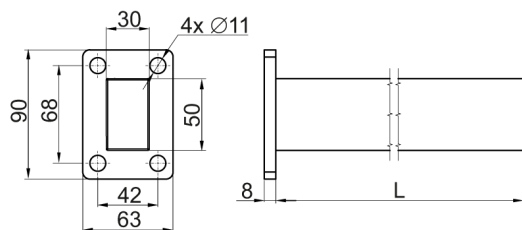
**15 Towing arm**

ZL1



Towing arm for towing clamps without roller ZZL-D...

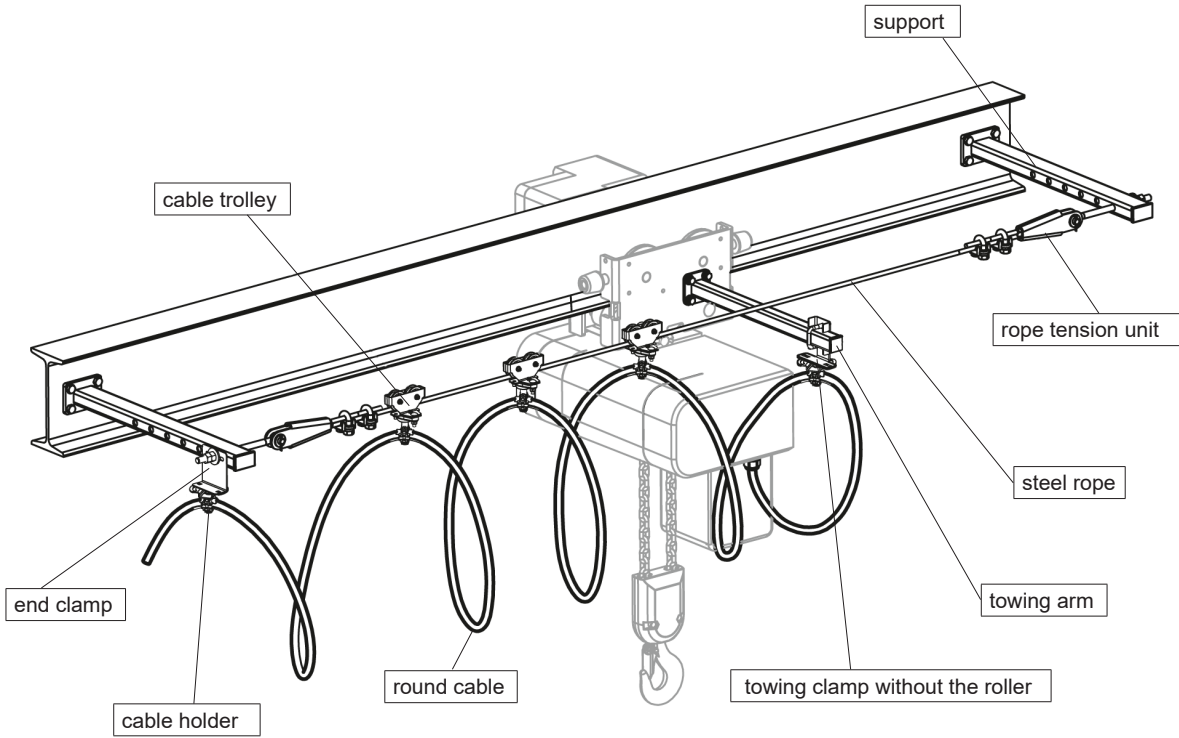
ZL2



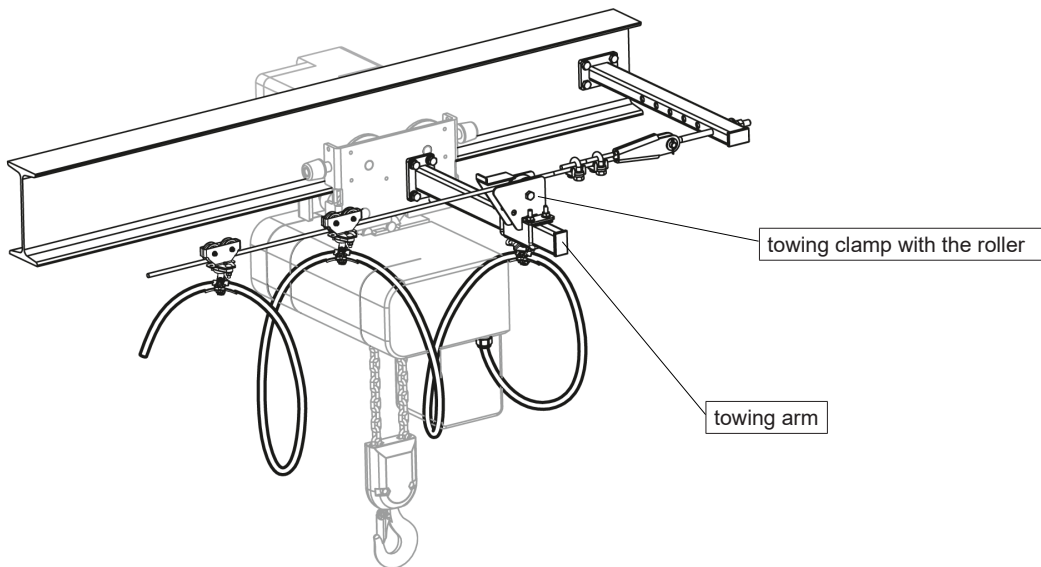
Towing arm for towing clamps with roller ZZRL-D...

Towing arm without the roller (ZL-D) / towing arm with the roller (ZZRL-D) - cold formed, Sendzimir galvanized steel PN-EN 10327		
Catalog №	Type	Weight [kg]
5015.10	ZL1 - 400	1,23
5015.11	ZL1 - 630	1,42
5015.15	ZL2 - 400	1,68
5015.16	ZL2 - 630	1,94

**Components of supply system with towing clamp without the roller for round cables**



**Components of supply system with towing clamp with the roller for round cables**



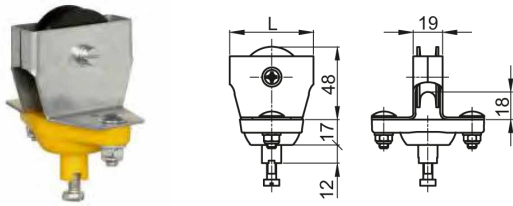
KL 052025

Ø 6-8  
[mm]

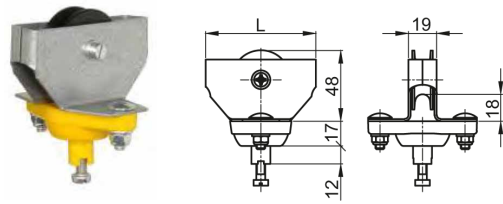
16

**Cable trolleys and regulated clamps with ball joint**

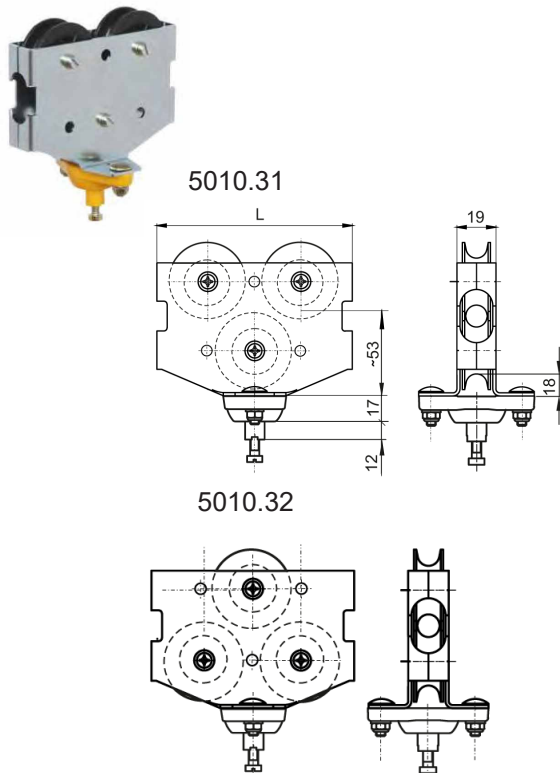
WK-RL-55



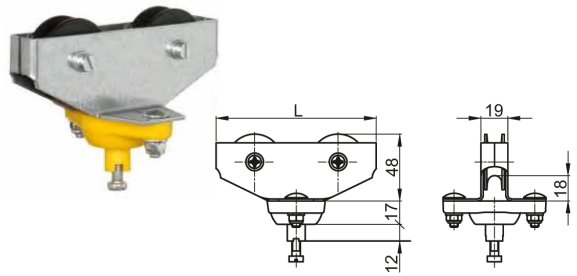
WK-RL-75



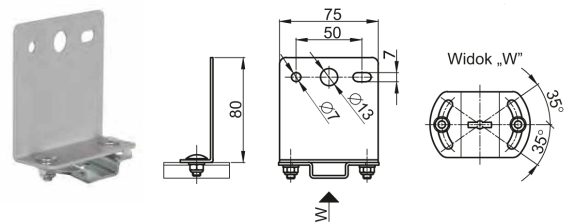
WK-RL08A(B)



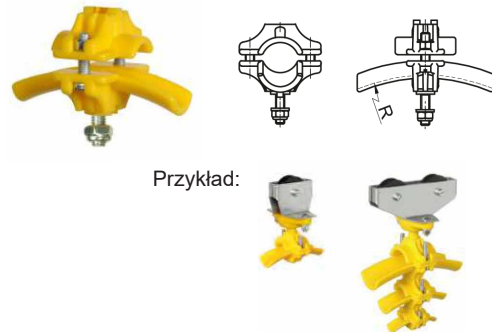
WK-RL-90 (115)



ZRL



UL-1016 / UL-1726 / UL-2736



It's suggested to use one-roller trolleys alternately with two-roller trolleys.

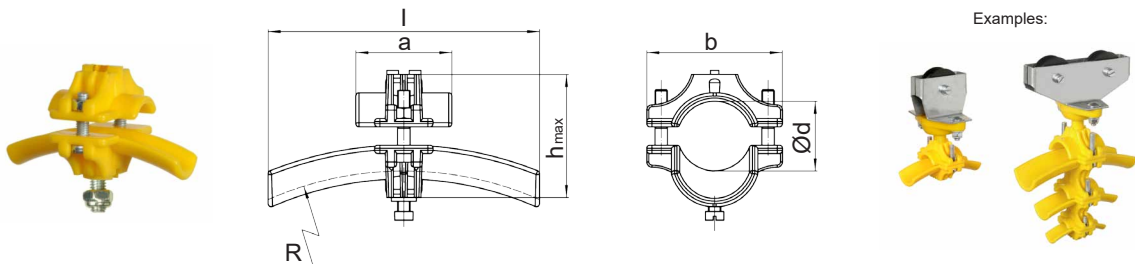
For chosen trolley you should order appropriate UL-1016, UL-1726 or UL-2736 cable holder.

Elements:	Material:
body of the trolley / end clamp	- galvanized steel / stainless steel
rollers	- polyamide PA
holder UL-...	- polyamide PA
pan	- polymer (G marking)
mount with ball joint	- polyamide PA
axles, bolts, nuts	- stainless steel 1.4301 / galvanized steel

Maximum trolley speed:	up to 50 m/min
Trolley load WK-RL-55 / WK-RL-75:	up to 6 [kg] (galvanized steel); up to 4 [kg] (stainless steel)
Trolley load WK-RL-90 (115):	up to 10 [kg] (galvanized steel); up to 6 [kg] (stainless steel)
End clamp load:	up to 16 [kg] (galvanized steel); up to 10 [kg] (stainless steel)
Holder load / holders in the complete:	up to 10 [kg] (galvanized steel); up to 6 [kg] (stainless steel)

Cable trolley WK-RL-55 - galvanized steel				N- stal nierdzwena 1.4301	
Catalog №	Type	Dimensions L [mm]	Weight [kg]	Catalog №	Type
5010.01	WK-RL-55	55	0,150	5010.01-N	WK-RL-55-N
Cable trolley WK-RL-75 - galvanized steel				N- stal nierdzwena 1.4301	
5010.02	WK-RL-75	75	0,165	5010.02-N	WK-RL-75-N
Cable trolley WK-RL-90 (115) - galvanized steel				N- stal nierdzwena 1.4301	
5009.90	WK-RL-90	90	0,205	5009.90-N	WK-RL-90-N
5010.03	WK-RL-115	115	0,220	5010.03-N	WK-RL-115-N
Cable trolley WK-RL08A(B) - galvanized steel				N- stal nierdzwena 1.4301	
5010.31	WK-RL08A-90	90	0,380	5010.31-N	WK-RL08A-90-N
5010.32	WK-RL08B-90			5010.32-N	WK-RL08B-90-N

Regulated clamp ZRL - galvanized steel			N- stainless steel 1.4301	
Catalog №	Type	Weight [kg]	Catalog №	Type
5011.00	ZRL	0,210	5011.00-N	ZRL-N



Elements:	Material:
holder's body	- polyamide PA
screws, nuts	- galvanized or stainless steel 1.4301

Working temperature:	from -20°C to +50°C
maximum end clamp's load:	galvanized steel: 10 [kg]; stainless steel: do 6 [kg]

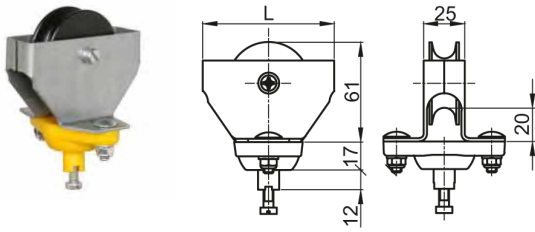
Cable holder - galvanized steel								N- stainless steel		Weight [kg]
Catalog №	Type	a [mm]	b [mm]	l [mm]	h <sub>max</sub> [mm]	Ø d [mm]	R [mm]	Catalog №	Type	
1040.01	UL-1016	34,0	44,0	65,0	40,0	10-16	75	1040.01-N	UL-1016-N	0,032
1040.02	UL-1726	40,5	54,0	89,5	53,5	17-26	110	1040.02-N	UL-1726-N	0,058
1040.03	UL-2736	45,5	64,5	120,5	66,0	27-36	160	1040.03-N	UL-2736-N	0,085

Ø 10-12  
[mm]

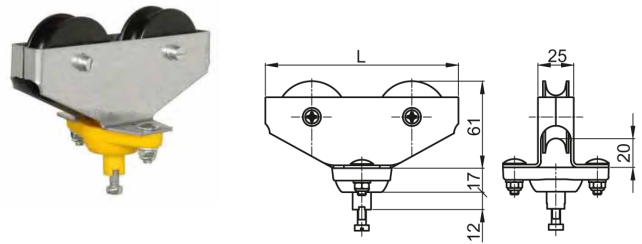
17

**Cable trolleys and regulated clamps with ball joint**

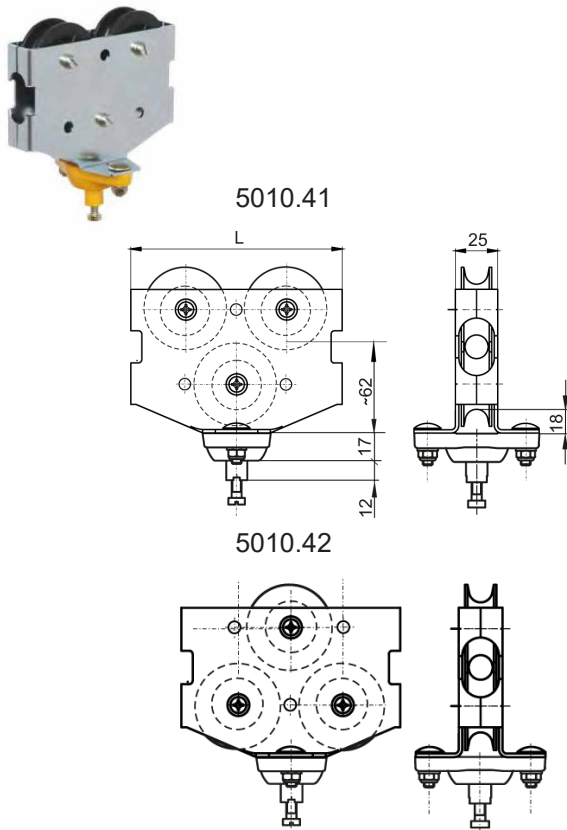
WK-RL2-80



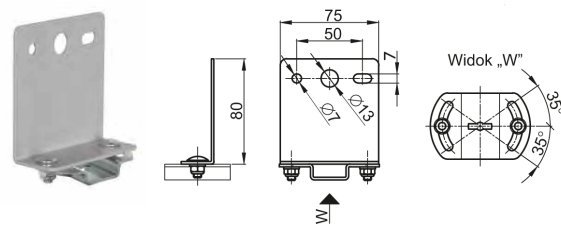
WK-RL2-115 (135)



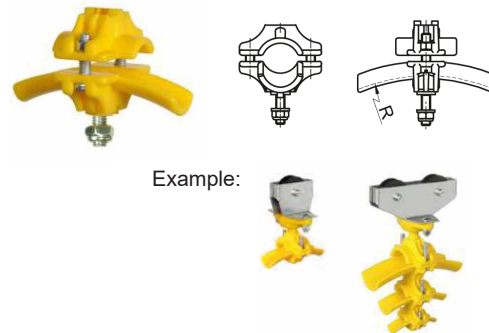
WK-RL12A(B)



ZRL



UL-1016 / UL-1726 / UL-2736



It's suggested to use one-roller trolleys alternately with two-roller trolleys.

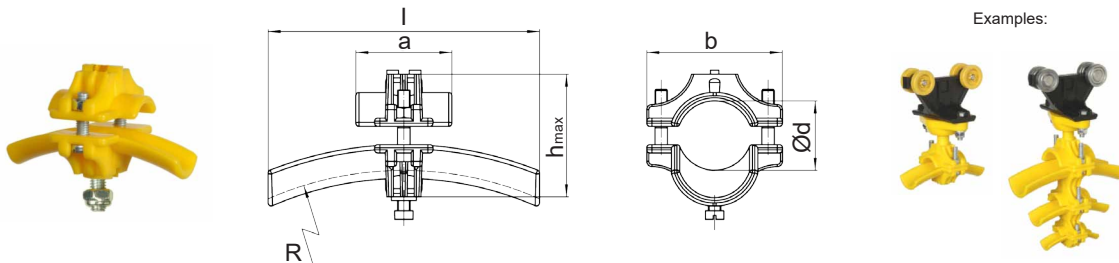
For chosen trolley you should order appropriate UL-1016, UL-1726 or UL-2736 cable holder.

Elements:	Material:
body of the trolley / end clamp	- galvanized steel / stainless steel
rollers	- polyamide PA
holder UL-...	- polyamide PA
pan	- polymer (G marking)
mount with ball joint	- polyamide PA
axles, bolts, nuts	- stainless steel 1.4301 / galvanized steel

Maximum trolley speed:	up to 50 m/min
Trolley load WK-RL2-80 / WK-RL2-115 (135)	up to 10 [kg] (galvanized steel); up to 6 [kg] (stainless steel)
Trolley load WK-RL-12A	up to 10 [kg] (galvanized steel); up to 6 [kg] (stainless steel)
Trolley load WK-RL-12B	up to 6 [kg] (galvanized steel); up to 4 [kg] (stainless steel)
Clamp load:	up to 10 [kg] (galvanized steel); up to 6 [kg] (stainless steel)
Holder load / holders in the complete:	up to 10 [kg] (galvanized steel); up to 6 [kg] (stainless steel)

Cable trolley WK-RL2-80 - galvanized steel				N- stainless steel 1.4301	
Catalog №	Type	Dimensions [mm] L	Weight [kg]	Catalog №	Type
5010.04	WK-RL2-80	80	0,220	5010.04-N	WK-RL2-80-N
Cable trolley WK-RL2-115 (135) - galvanized steel				N- stainless steel 1.4301	
5009.92	WK-RL2-115	115	0,295	5009.92-N	WK-RL2-115-N
5010.05	WK-RL2-135	135	0,320	5010.05-N	WK-RL2-135-N
Cable trolley WK-RL12A(B) - galvanized steel				N- stainless steel 1.4301	
5010.41	WK-RL12A-125	125	0,500	5010.41-N	WK-RL12A-125-N
5010.42	WK-RL12B-125			5010.42-N	WK-RL12B-125-N

Regulated clamp ZRL - galvanized steel			N- stainless steel 1.4301	
Catalog №	Type	Weight [kg]	Catalog №	Type
5011.00	ZRL	0,210	5011.00-N	ZRL-N



Elements:	Material:
holder's body	- polyamide PA
screws, nuts	- galvanized or stainless steel 1.4301

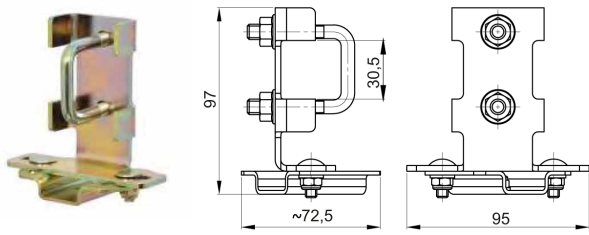
Working temperature:	from -20°C to +50°C
maximum end clamp's load:	galvanized steel: 10 [kg]; stainless steel: do 6 [kg]

Cable holder - galvanized steel								N- stainless steel		Weight [kg]
Catalog №	Type	a [mm]	b [mm]	l [mm]	h <sub>max</sub> [mm]	Ø d [mm]	R [mm]	Catalog №	Type	
1040.01	UL-1016	34,0	44,0	65,0	40,0	10-16	75	1040.01-N	UL-1016-N	0,032
1040.02	UL-1726	40,5	54,0	89,5	53,5	17-26	110	1040.02-N	UL-1726-N	0,058
1040.03	UL-2736	45,5	64,5	120,5	66,0	27-36	160	1040.03-N	UL-2736-N	0,085

KL 052025

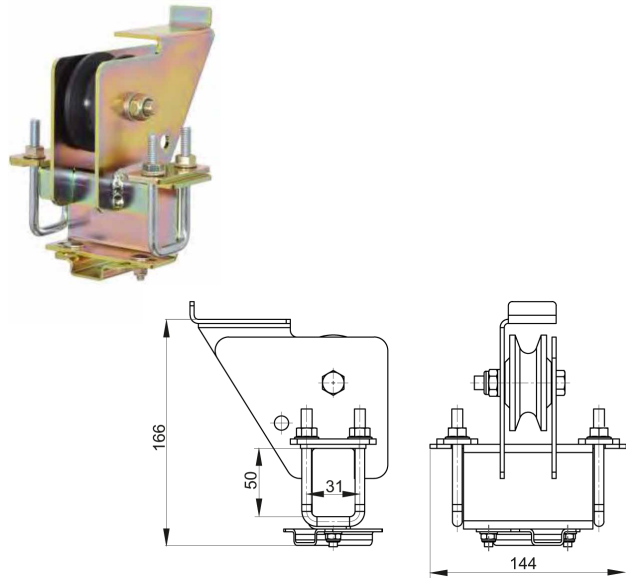
**18 Towing clamp with or without the roller with ball joint**

ZZL-1



To the towing clamp with roller, use towing arm ZL2-400 or ZL2-630.

ZZRL-1



**Elements:**

**Material:**

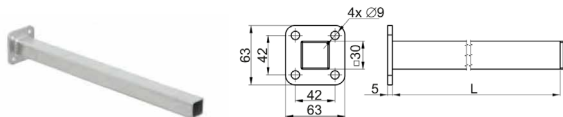
- body of the clamp - galvanized steel
- rollers - polyamide PA
- pan - polimer (G marking)
- axles, bolts, nuts - stainless steel 1.4301, galvanized steel / stainless 1.4301
- bolts - polyamide PA (for cable support D50T made of plastic)

Towing clamp load: 16 [kg]

Towing clamp without the roller - galvanized steel		
Catalog №	Type	Weight [kg]
5003.40	ZZL-1	0,29
Towing clamp with the roller - galvanized steel		
5003.50	ZZRL-1	1,405

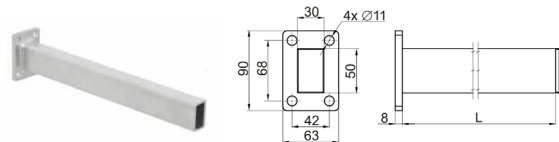
**19 Towing arm**

ZL1



Towing arm for towing clamps without roller ZZL-D...

ZL2



Towing arm for towing clamps with roller ZZRL-D...

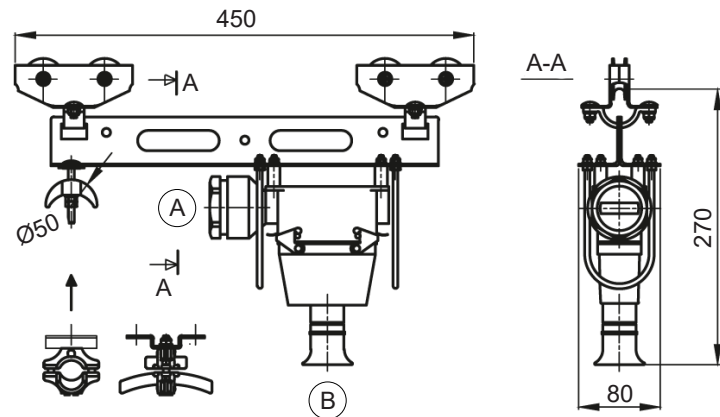
Towing arm without the roller (ZZL-D) / towing arm with the roller (ZZRL-D) - cold formed, Sendzimir galvanized steel PN-EN 10327		
Catalog №	Type	Weight [kg]
5015.10	ZL1 - 400	1,23
5015.11	ZL1 - 630	1,42
5015.15	ZL2 - 400	1,68
5015.16	ZL2 - 630	1,94

KL 052025





Uchwyt UL-1726 dla przewodu okrągłego  
Round cable holder UL-1726



**Elements:**

- cable trolleys
- rollers
- pan
- axles
- cable support
- mount with ball joint
- bolts for cable supports D50T
- bolts, nuts
- multipolar junction

**Material:**

- galvanized steel
- polyamide PA
- polymer
- stainless steel 1.4301
- polyamide PA or polypropylene PP (on request)
- polyamide PA
- galvanized steel
- galvanized steel
- die-cast aluminium

Maximum trolley speed: up to 40 m/min

Internal protection level: IP 54

Catalog №	Type	Festoon cable	Numbers of terminals	Gland		Diameter of wire rope [mm]	Weight [kg]
				A	B		
5009.30	WS-L19	flat	16+E	PG 29	PG 21	Ø 6-8	2,630
5009.31	WS-L15		16+E	PG 42	PG 21		2,830
5009.32	WS-L16		24+E	PG 42	PG 29		2,490
5009.33	WS-L17	round	16+E	PG 29	PG 21		2,430
5009.34	WS-L18		24+E	PG 29	PG 29		2,695
5009.40	WS-L19B	flat	16+E	PG 29	PG 21		Ø 10-12
5009.41	WS-L15B		16+E	PG 42	PG 21	2,830	
5009.42	WS-L16B		24+E	PG 42	PG 29	2,490	
5009.43	WS-L17B	round	16+E	PG 29	PG 21	2,430	
5009.44	WS-L18B		24+E	PG 29	PG 29	2,695	

KL 052025

**21 Mounting plate PM**



The plate is used in case of ties between plastic cable trolleys.

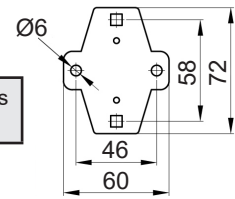
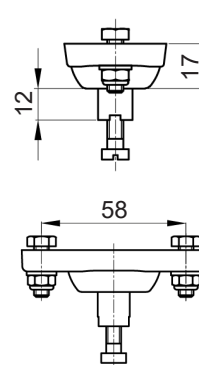


Plate - galvanized steel		N- stainless steel 1.4301		Weight [kg]
Catalog №	Type	Catalog №	Type	
5000.10	PM	5000.10-N	PM-N	0,045

Cable trolleys for flat cables – typically with PM  
Cable trolleys for round cables – without PM

In case of e.g. long power supply, You should add a mounting plates PM for those trolleys, so they can provide mechanical connection between trolleys.

**22 Mount with ball joint MPK**



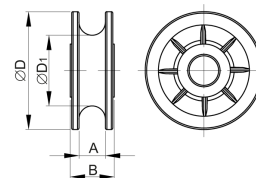
**Elements:**    **Material:**

body            - polyamide PA  
screws, nuts   - galvanized or stainless steel 1.4301

Working temperature: from -20°C to +50°C

Mount with ball joint MPK - galvanized steel			N- stainless steel 1.4301			Weight [kg]
Catalog №	Type	Max. load [kg]	Catalog №	Type	Max. load [kg]	
1041.00	MPK	10	1041.00-N	MPK-N	6	0,045

**23 Plastic rollers**



**Elements:**    **Material:**

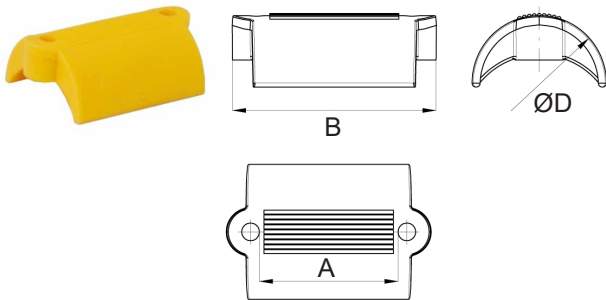
body            - polyamide PA / galvanized steel  
pan              - polymer

Catalog №	Type	Dimensions [mm]				Weight [kg]
		D	D <sub>1</sub>	A	B	
5000.01	RL40	40	24	9	15	0,010
5000.03	RL50	50	30	13	20	0,020

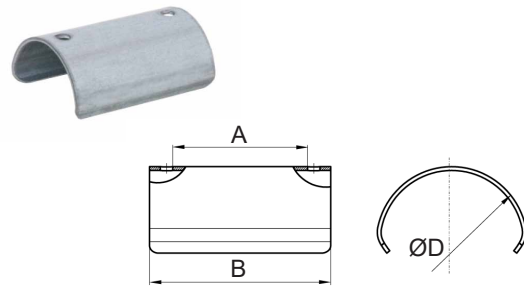
KL 052025

**24 Plastic or steel normal cable supports**

Plastic cable supports



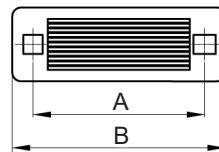
Steel normal cable supports



The 50 and 80 [mm] polyamide PA cable supports in standard version are adapted to use with plastic nuts.  
The 50 and 80 [mm] polypropylene PP cable supports in standard version are adapted to use with steel nuts.

Catalog №	Type	Material	Dimensions [mm]			Weight [kg]
			D	A	B	
<b>plastic cable supports</b>						
1080.01	D50T×76-PA	polyamide PA (yellow)	50	52	76	0,023
1080.05	D80T×76-PA		80			0,038
1080.11	D50T×76-PP	polypropylene PP (grey)	50			0,023
1080.15	D80T×76-PP		80			0,038
<b>steel cable supports - normal - galvanized steel</b>						
1081.01	D50×76	galvanized steel	50	52	76	0,098
<b>steel cable supports - normal - stainless steel 1.4301</b>						
1081.01-N	D50×76-N	stainless steel 1.4301	50	52	76	0,098

**25 Separators**



**Elements:**    **Material:**

separators    - polyamide PA (black) or polypropylene PP (grey)

Catalog №	Type	Material	Dimensions [mm]		Weight [kg]
			A	B	
1080.20	L76-PA	polyamide PA (black)	58	71	0,004
1080.21	L96-PA		78	93	0,007
1080.25	L76-PP	polypropylene PP (grey)	58	71	0,004
1080.26	L96-PP		78	93	0,007

KL 052025

**26 Plastic conical nuts**



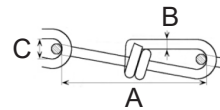
The plastic nuts are designed to fastening the 50 i 80 [mm] polyamide PA cable supports.

**Elements: Material:**

nut - polyamide PA

Catalog №	Type	Material	Weight [kg]
1080.30	M6-PA	polyamide PA	0,003

**27 Technical chain VICTOR DIN 5686**

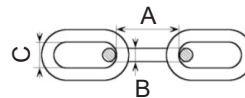


**Elements: Material:**

chain link - galvanized steel

Catalog №	Type	Nominal size	Dimensions [mm]			Unit of measure	Weight [kg]
			A	B	C		
1009.24	ŁOV-2.0	2,0	28,0	2,0	5,1	1 m	0,080

**28 Technical chain DIN 5685**

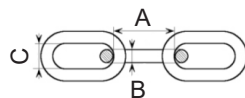


**Elements: Material:**

chain link - galvanized steel

Catalog №	Type	Nominal size	Dimensions [mm]			Unit of measure	Weight [kg]
			A	B	C		
1009.26	ŁOK-3	3,0	16,0	3,0	6,0	1 m	0,165
1009.27	ŁOK-4	4,0	19,0	4,0	7,0		0,295

**29 Technical chain DIN 766**



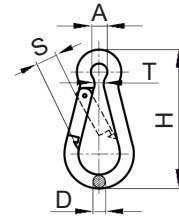
**Elements: Material:**

chain link - stainless steel AISI 316

Catalog №	Type	Nominal size	Dimensions [mm]			Unit of measure	Weight [kg]
			A	B	C		
1009.26-N	ŁOK-3-N	3,0	15,7	3,0	5,0	1 m	0,170
1009.27-N	ŁOK-4-N	4,0	16,0	4,0	7,0		0,320

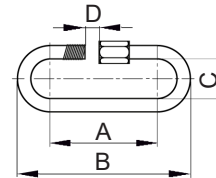
KL 052025

**30 Snap hook**



Snap hook - galvanized steel					N- stainless steel AISI 316						
Catalog №	Type	Nominal size	Max. strenght [kg]	Dimensions [mm]					Catalog №	Type	Weight [kg]
				A	B	H	S	T			
1009.21	KR1	40 × 4	80	6	4	40	6	5	1009.21 -N	KR1 -N	0,008
1009.22	KR2	50 × 5	100	8	5	51	7	6	1009.22 -N	KR2 -N	0,016

**31 Twisted link**



Twisted link - galvanized steel								
Catalog №	Type	Nominal size	Max. strenght [kg]	Dimensions [mm]				Weight [kg]
				A	D	C	D	
1009.40	OGS 035	3,5 N	50	29	38	10	4	0,008
Twisted link - stainless steel AISI 316								
1009.40 -N	OGS 035 -N	3,5 N	50	30	37	11	5	0,009

KL 052025

## CABLES

32

### Cables for crane industry - general information

UNILIFT has got a wide offer of festoon cables made by leading producers. These cables are mainly applied in: festoon systems, cable reels, energy guiding chains, etc.

Festoon systems consist flat cables characterized by flexibility and very low curve radius. They're able to be bundled – what gives reduction of festoon's size.

UNILIFT has got a wide offer of festoon cables made by leading producers. Below is the list of typical cables.

Festoon systems consist round cables characterized by flexibility and very low curve radius. Here are the main types of flat cables (insulation PUR and rubber, shielded or unshielded):

- H05VVH6-F
- H07VVH6-F
- YFLY, KYFLY
- YCFLY, YFCLY, KYCFLY, KYFLCY (EMV)
- NGFLGÖU UL
- M(StD)HÖU UL (EMC)
- LSOH

Festoon systems consist round cables characterized by flexibility and very low curve radius. Here are the main types of flat cables (insulation PUR and rubber, shielded or unshielded):

- FESTOONTEC PUR-HF
- FESTOONTEC C-PUR-HF
- REELTEC PUR-HF
- REELTEC (K) NSHTÖU, REELTEC (K) (N) SHTÖU
- REELTEC KSM-(N)SHTSÖU-J, REELTEC KSM-(N)SHTSÖU-J+LWL
- SPREADERFLEX 3GSLTOE-J
- H07RN-F, H07RN-F PREMIUM
- ÖPVC-JZ/OZ, ÖPVC-JZ/OZ-YCY

For energy guiding chains the most commonly used cables are:

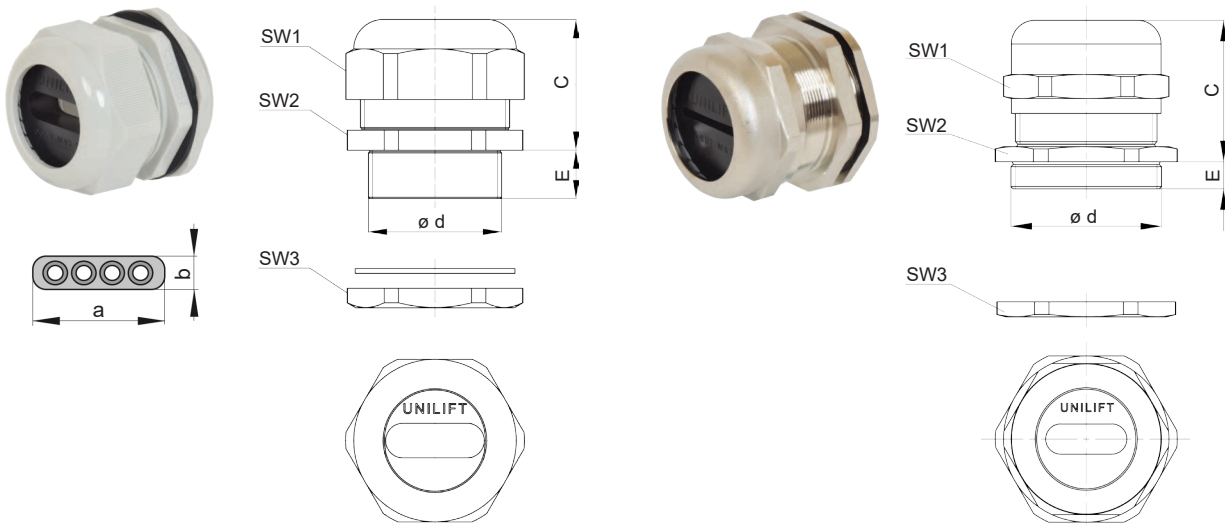
- REELTEC PUR-HF
- REELTEC (K) NSHTÖU, REELTEC (K) (N) SHTÖU
- REELTEC KSM-(N)SHTSÖU-J, REELTEC KSM-(N)SHTSÖU-J+LWL

Cable for connect the control stations with crane or conveyor devices, hoists, etc. equipped with two integral steel strings:

- FYMYTW
- KASTER

**CABLE GLANDS**

**33 Flat cable glands UNILIFT DPPN / MDPP**



**Elements:**

body, pressing screw  
sealing insert  
gasket

**Material:**

- polyamide / brass  
- PVC  
- oil resisting rubber

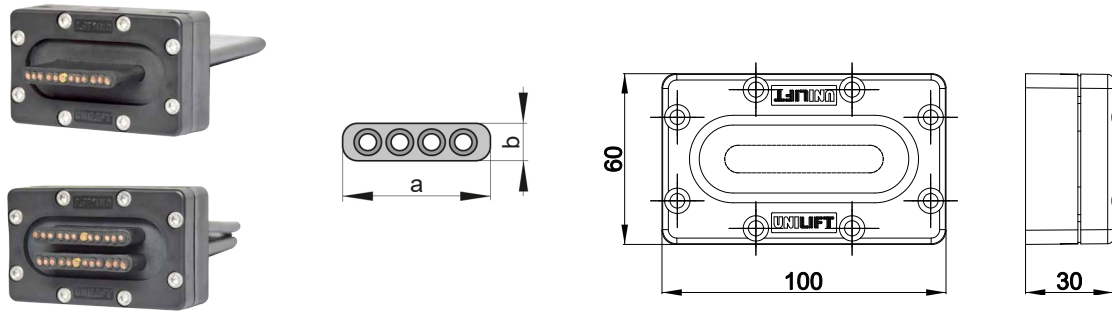
Working temperature: - 30°C ÷ +80°C / - 40°C ÷ +100°C

Degree of protection: IP65

Catalog №	Type	Thread d	E [mm]	C [mm]	Cable dimensions		SW1	SW2	SW3	Weight [kg]
					a [mm]	b [mm]				
<b>Glands made of polyamide</b>										
0607-M25	DPPN-WS-25-16	M25 × 1,5	10	36	13,5 ÷ 16,0	3,0 ÷ 4,5	32	32	33	0,02
0607-M32	DPPN-WS-32-21	M32 × 1,5	11	40	15,0 ÷ 17,0	3,3 ÷ 4,8	35	36	39	0,03
0607-M32-SG	DPPN-WS-32-21-SG	M32 × 1,5			16,0 ÷ 18,0	4,5 ÷ 6,0				
0607-M32-2	DPPN-WS-32-29	M32 × 1,5	12	38	21,0 ÷ 24,5	3,0 ÷ 5,0	42	42	41	0,06
0607-M32-SG-2	DPPN-WS-32-29-SG	M32 × 1,5			21,0 ÷ 24,5	6,0 ÷ 8,0				
0607-M40	DPPN-WS-40-29	M40 × 1,5	18	48	26,0 ÷ 29,0	4,0 ÷ 5,5	53	51	50	0,09
0607-M40-SG	DPPN-WS-40-29-SG	M40 × 1,5			24,5 ÷ 27,0	7,0 ÷ 10,0				
0607-M50-1	DPPN-WS-50-36	M50 × 1,5	18	49	33,0 ÷ 36,0	4,5 ÷ 6,0	61	60	60	0,11
0607-M50-SG-1	DPPN-WS-50-36-SG	M50 × 1,5			32,0 ÷ 35,0	7,0 ÷ 10,0				
0607-M50-2	DPPN-WS-50-42	M50 × 1,5			37,5 ÷ 38,0	4,0 ÷ 5,5				0,13
0607-M50-SG-2	DPPN-WS-50-42-SG	M50 × 1,5			34,4 ÷ 37,0	10,0 ÷ 13,0				
0607-M63	DPPN-WS-63-48	M63 × 1,5	14	50	41,0 ÷ 44,0	4,0 ÷ 5,5	66	68	74	0,15
0607-M63-SG	DPPN-WS-63-48-SG	M63 × 1,5			41,0 ÷ 44,0	10,5 ÷ 13,5				
<b>Glands made of brass</b>										
0608-M25	MDPP-WS-25-16	M25 × 1,5	9	28	11,0 ÷ 13,0	2,7 ÷ 4,2	24	27	30	0,09
0608-M32	MDPP-WS-32-21	M32 × 1,5			14,0 ÷ 16,0	3,5 ÷ 4,5				
0608-M40	MDPP-WS-40-29	M40 × 1,5	9	32	22,5 ÷ 25,0	3,5 ÷ 5,0	40	43	46	0,16
0608-M40-SG	MDPP-WS-40-29-SG	M40 × 1,5			22,5 ÷ 25,0	6,5 ÷ 8,0				
0608-M50	MDPP-WS-50-36	M50 × 1,5	14	44	26,0 ÷ 29,0	4,0 ÷ 5,5	50	55	60	0,30
0608-M50-SG	MDPP-WS-50-36-SG	M50 × 1,5			24,0 ÷ 27,0	7,0 ÷ 10,0				
0608-M63	MDPP-WS-63-48	M63 × 1,5	14	44	41,0 ÷ 44,0	4,0 ÷ 5,5	64	68	70	0,49
0608-M63-SG	MDPP-WS-63-48-SG	M63 × 1,5			41,0 ÷ 44,0	10,5 ÷ 13,5				

KL 052025

**34 Flat or round cable gland system UNILIFT DPPU**

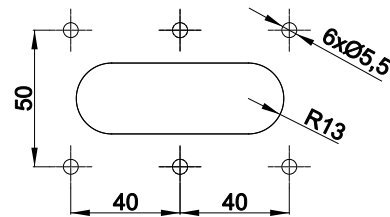


**Elements:**  
 body  
 sealing insert  
 bolts, screws

**Material:**  
 - polyamide  
 - oil-resisting rubber  
 - stainless steel 1.4301

Working temperature: - 30°C ÷ 80°C  
 Degree of protection: IP65

Mounting holes location:



Catalog №	Type	Rubber insert	Cable dimensions		Weight [kg]
			a [mm]	b [mm]	
0616-7424-S0	DPPU-7424-TS0	without hole for cable	72	22	0,235
0616-7424-S1	DPPU-7424-TS1	with 1 hole			0,225
0616-7424-S2	DPPU-7424-TS2	with 2 holes			0,215

**Notes on submitting inquiries and orders:**

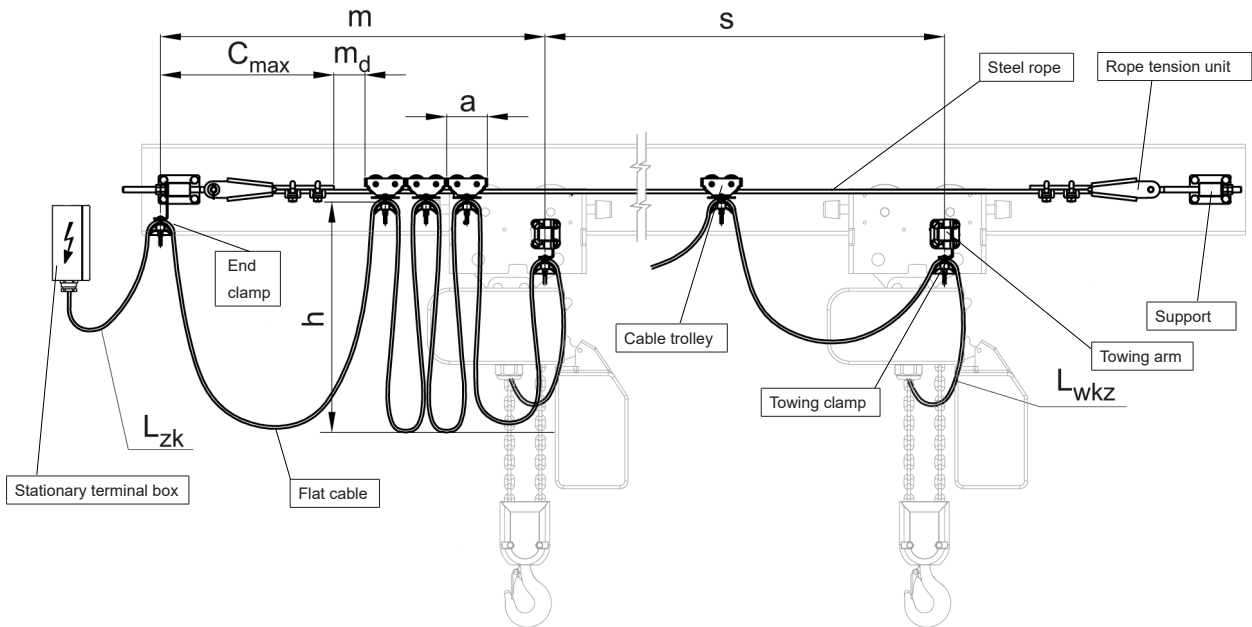
1. When submitting an inquiry, please provide the exact type and catalog number of the cables.
2. The order should specify the actual dimension of the conductor cross-section.
3. The minimum purchase of DPPU universal gland system is 2 pieces.



**INSTRUCTIONS AND FORMS**

**35 Steel rope power supply line selection**

Steel rope power supply line components



1. Type of power device (e.g. crane, hoist, technical device, etc.):

2. Device localization:

- indoor
- outdoor
- maritime climate

3. Environment:

- normal
- dust  , description
- potentially explosive area  , description
- chemically aggressive  , description

4. Temperature range:

- min.  °C
- max.  °C

5. Time of trolleys acceleration to rated speed:  s

6. Supply system length (towing trolley route length):  $s =$   m

7. Permissible trolleys storage area length:  $h =$   m

8. Permissible height of cable loop:  $m =$   m

9. Trolleys speed:  m/min

10. Cable length from towing clamp to mobile terminal box:  $L_{wkz} =$   m

KL 052025

11. Cable length from end clamp to stationary terminal box:

$L_{zk} =$   m

12. Cable type:

electric

hose (for gas, liquid)

13. Rope diameter:

$\varnothing$  6 mm   $\varnothing$  8 mm   $\varnothing$  10 mm   $\varnothing$  12 mm

14.

Supply festoon or/and control festoon cable list:

Cable type							Cable dimension (4G 2,5; 12G 1,5 etc.)	Supply festoon	Control festoon	Amount of cables in one mounting point	Diameter d of a round cable [mm] or flat cable cross section b x A [mm]
Flat	Round	PVC	Rubber	PVC shielded	Rubber shielded.	Other					

Offer should contain:

15. Steel rope: yes  no

a) Galvanized steel rope - without PVC sheath

b) Galvanized steel rope - with PVC sheath

c) Stainless steel rope AISI 316 without PVC sheath

16. Steel rope mounting: rope tension unit , supports

17. Towing arm and towing clamp without roller:

18. Towing arm and towing clamp with roller:

19. Additional notes:

20. Contact data:

Company name:	
Address:	
Contact person:	
Office:	
Phone number:	
e-mail:	
date:	

KL 052025

## CABLE TROLLEYS AND ACCESSORIES FOR STEEL ROPE TRACK



**UNILIFT**® Sp. z o.o.  
Sp. k.

ul. Ołowiana 16, 85-461 Bydgoszcz, POLAND

e-mail: [office@unilift.pl](mailto:office@unilift.pl)

tel. +48 52 581 05 15

